

Part # DC-SDNA XX+XX

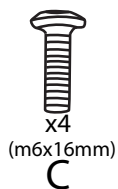
171102

PARTS

A



B

x4
(m6x16mm)

C

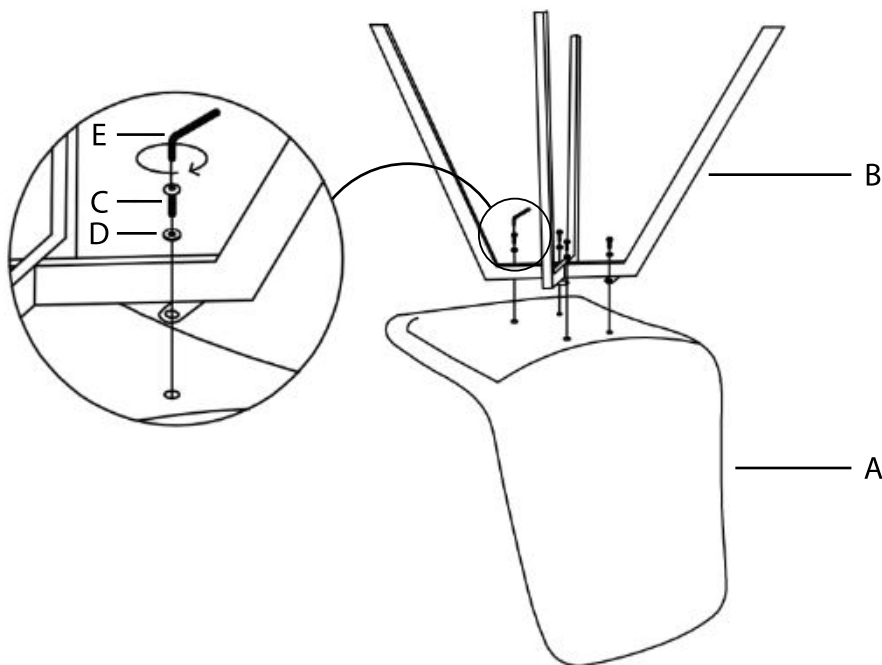
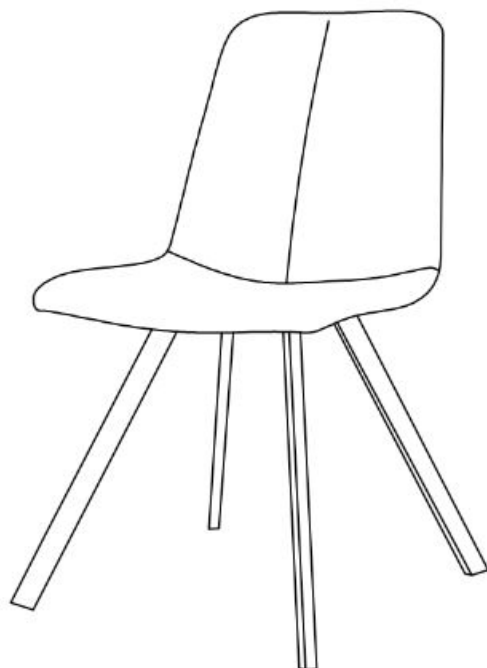


x4

D



E

1**2**Do not over tighten.Do not use power tools to assemble.